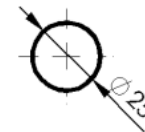
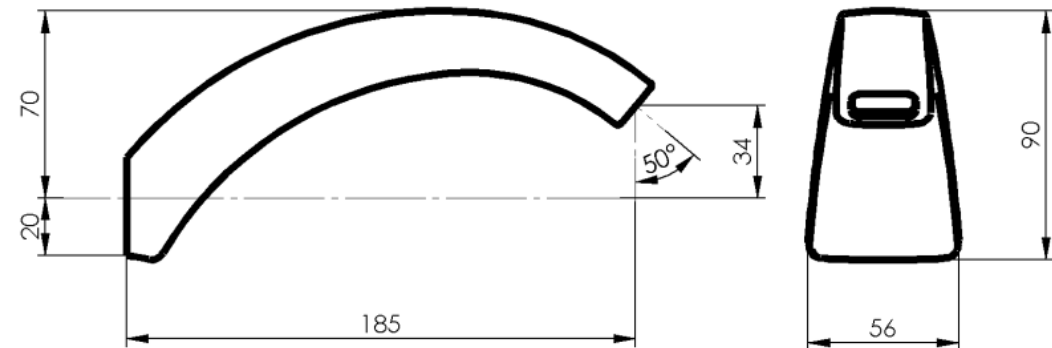




MARKETTI BATH SPOUT INSTALLATION INSTRUCTIONS

PRODUCT #

BATCH #



Mounting Hole

Please contact country of purchase .

NZ:

Distributed by : GREENS GLOBAL LIMITED

PO Box 5055, Hamilton. 3200

170 Maui Street, Pukete, Hamilton. 3242

Phone: 07 849 0109, Fax: 07 849 0540

Internet: www.greenstapware.com

Email: nzsales@greenstapware.com

Service Hotline: 0800 655 455

Australia:

Distributed by: Greens Global (Australia) Ltd

10/101 Wedgewood Rd, Hallam, Victoria 3803

Phone: 1800 244 487 Fax: 1800 244 212

Email: aussales@greenstapware.com

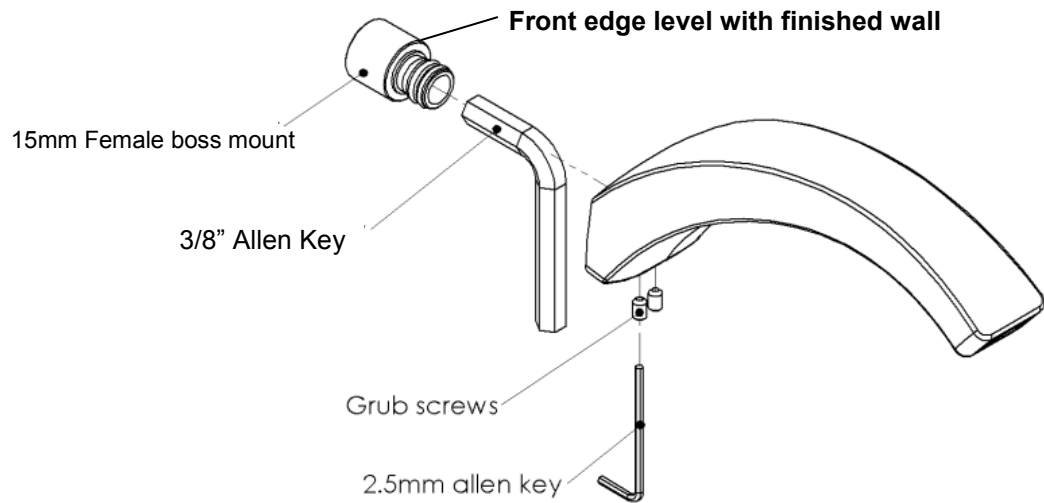
Website: www.greenstapware.com

Service Hotline: 1800 244 992

Installation shall be in accordance with the AS/NZS3500 series of standards.

Please leave this instruction sheet with the customer.

INSTALLATION INSTRUCTIONS



Installing Female Boss Mount:

1. Cut out mounting hole in finished wall for **spout , 25mm** as per drawing.
2. Remove the 15mm female boss mount by unscrewing the **grub screws** under the spout until **nearly out.**
3. Install the female boss mount with 15mm parallel thread (not supplied) using an **3/8" Allen key.**
 - a. Note: Edge of boss mount to be **level with finished wall.**

Install Spout:

1. Grease O-rings, install spout ensuring seal is in place and tighten grub screws.