

### Install Hose And Roses:

1. Install hose and ensure sealing washers are in place.
  - a. Nut end to lower outlet on rail and tapered end to the hand set.
2. Install over head rose to rail and hand set to hose and ensure sealing washer is in place.

### Diverter Operation:

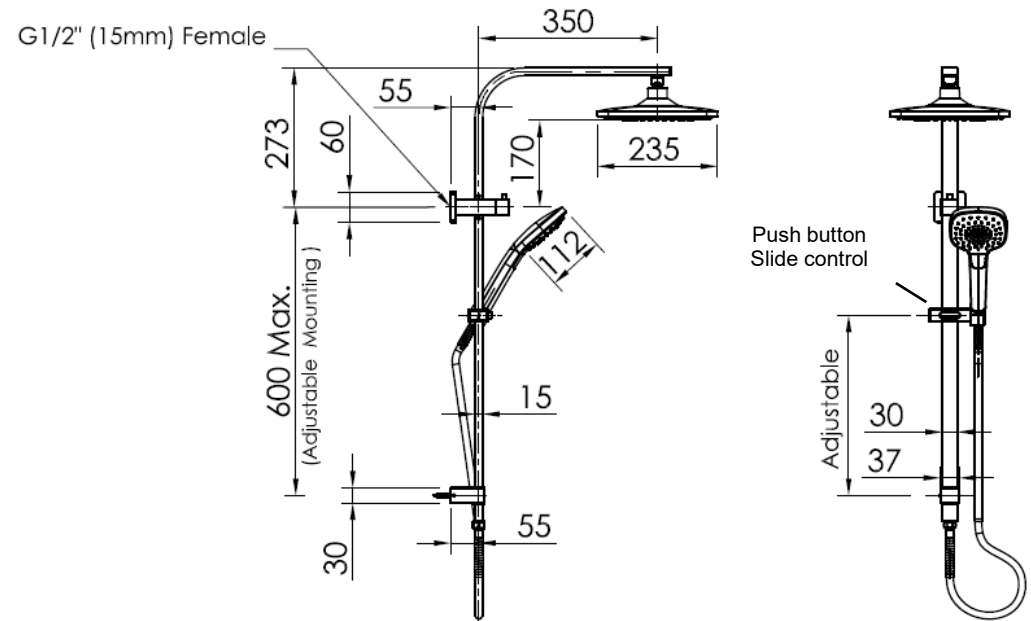
1. The diverter is a manual operation turn handle either to the left or to the right.
2. **NOTE: This is not a shut off valve, must always shut off at mixer after use.**



## CORBAN TWIN RAIL SHOWER INSTALLATION INSTRUCTIONS

PRODUCT #

BATCH #



### Australia:

**Distributed by: Greens Global (Australia) Ltd**

10/101 Wedgewood Rd, Hallam, Victoria 3803

Phone: 1800 244 487 Fax: 1800 244 212

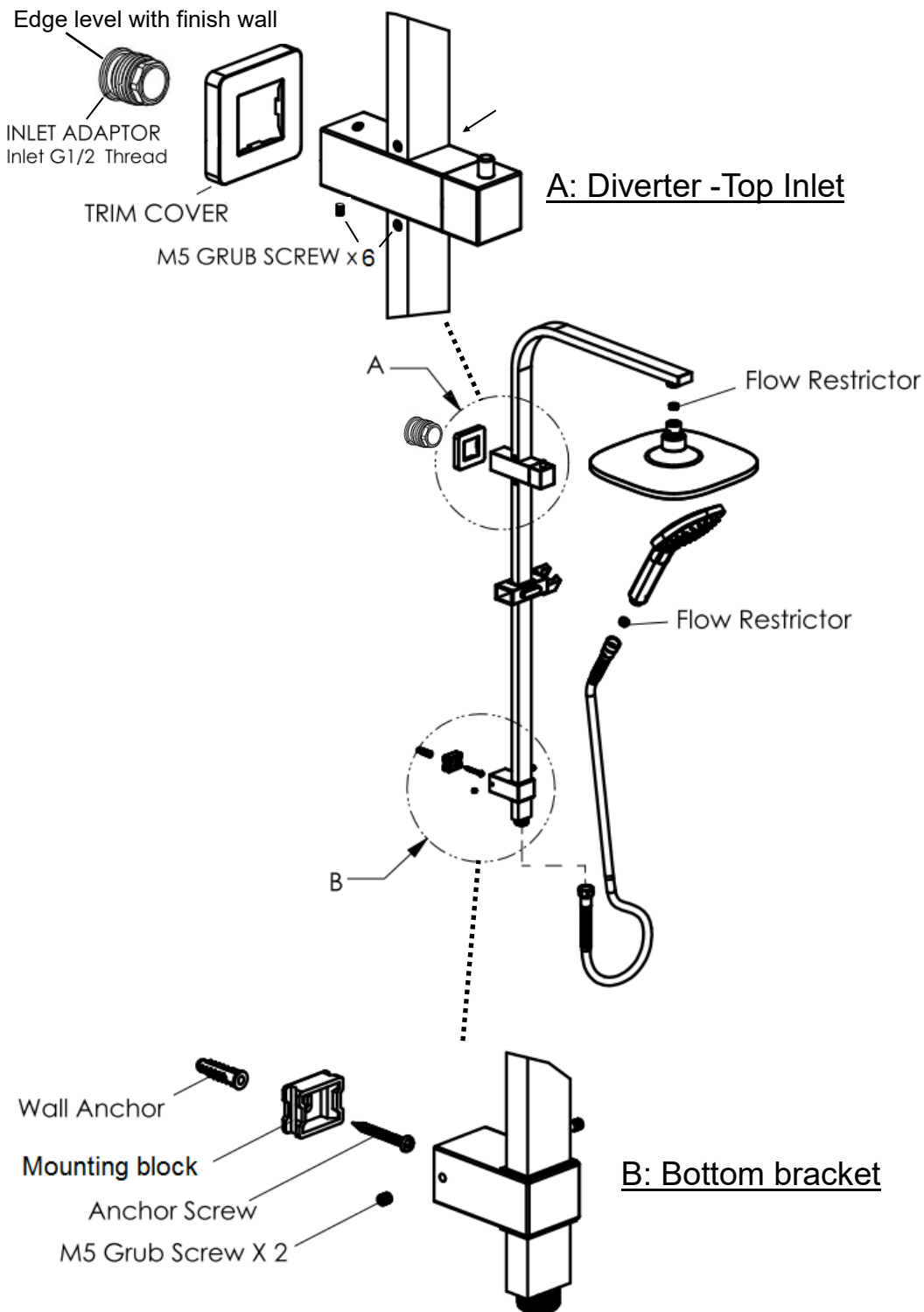
Email: [aussales@greenstapware.com](mailto:aussales@greenstapware.com)

Website: [www.greenstapware.com](http://www.greenstapware.com)

**Service Hotline: 1800 244 992**

### Technical Data

- **Suitable for use with high pressure water supply only.**  
Not suitable for gravity-fed water heaters, low and unequal pressure networks.
- Minimum Water pressure: 150kpa.
- Maximum water pressure: 500kpa.
- Pressure over 500kpa will require a limiting valve.
- Installation shall be in accordance with the AS/NZS3500 series of standards.
- Flow rate of 3 star 9 l/m has been rated under the Australian Water Efficiency Labeling Scheme (WELS).



- **Top Inlet at the diverter.**
- **Diverter trim cover is 60mm x 60mm.**
- **Bottom bracket mount is adjustable with max 600mm Centres.**

#### Install The 15mm Female Inlet Adaptor:

1. At pipe-out stage install a **brass 15mm male wingback elbow** (not supplied).
  - a. Remove the adaptor from the diverter.
    - i. **NOTE:** Loosen off the 2 grub screws to ensure the O-rings are not cut on the adaptor.
  - b. Note: The female inlet adaptor requires **minimum of 10mm thread** protruding from the **finished wall**.
  - c. **Inlet is at the top.**
  - d. **Check the height** required with customer as there is no height adjustment.
2. Cut the inlet thread, to a **MIN of 10mm thread** from finished wall.
3. Install inlet adaptor using a spanner or a 10mm Allen key.
  - a. **Back edge of the adaptor to be level with the finished wall as shown.**

#### Installing The Diverter:

1. Install diverter to the inlet adaptor.
  - a. Lightly grease the O-rings on the inlet adaptor.
  - b. **CHECK: The 2 grub screws are not projecting into the bore.**
    - i. Loosen off to ensure they do not cut the O-rings on the adaptor.
  - c. **Carefully position trim** to diverter and against finished wall as shown.
  - d. **Sealant is required behind the diverter and trim to wall for water seal.**

#### Install Mounting Block For Bottom Bracket:

1. Mark out and install mounting block as shown in drawing and inline with the inlet to ensure rail will be straight.
  - a. Must screw into a wooden stud or nog.
  - b. Wall anchor provided for masonry walls.

#### Install Rail:

1. Slide the slide control onto the lower rail.
2. Install lower section of rail to diverter and tighten the 2 grub screws.
  - a. Lightly grease the O-rings on the diverter.
  - b. **CHECK: The grub screws are not projecting into the bore on the rail.**
    - i. Loosen off to ensure not to cut the O-rings on the diverter.
3. Position bottom bracket onto the mounting block and tighten the 2 grub screws.
  - a. Back off the grub screws enough for attaching to mount.
  - b. **Sealant is required behind the bracket to wall for water seal.**
  - c. **To adjust bottom bracket height,** back off the locking screws inside the bracket, adjust to height required and retighten screws.
4. Install overhead arm to top of diverter and tighten the grub screws.
  - a. Lightly grease the O-rings.
  - b. **CHECK: The grub screws are not projecting into the bore on the rail.**